

FPV-125

Solar DC Mini Circuit Breaker (DC MCB)

► Application

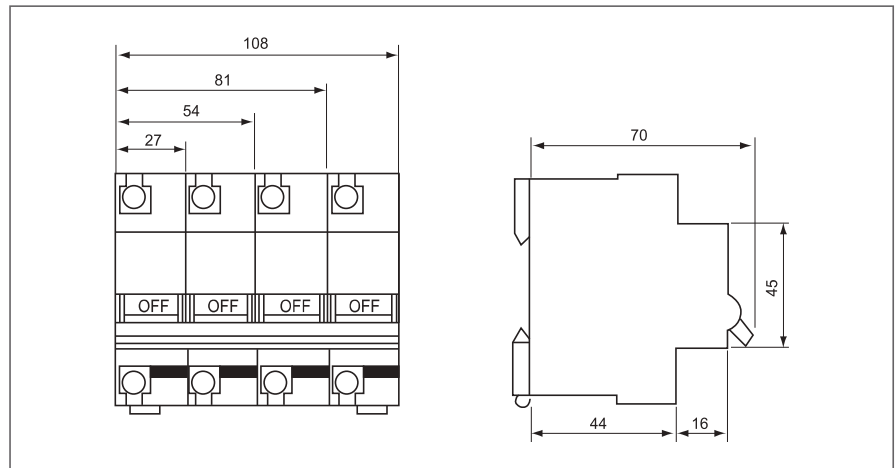
FPV-125 high breaking capacity circuit breaker is specially for solar PV system. The current is from 63A to 125A and voltage up to 1000VDC. Standard according to IEC/EN60947-2.



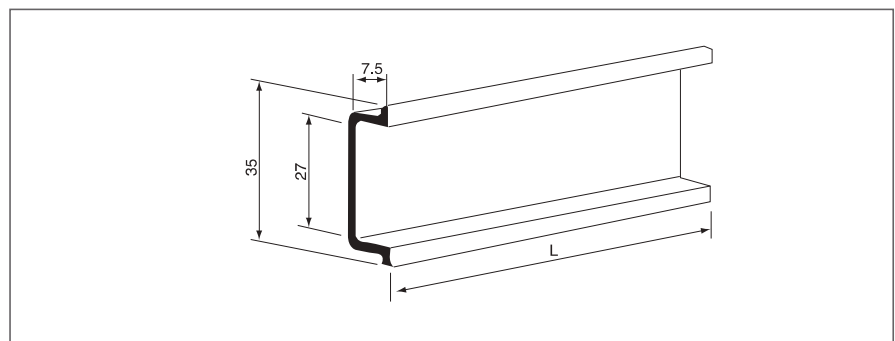
► Specifications

Rated Current	63,80,100,125A			
Rated Voltage	250VDC	550V/800VDC	750VDC	1000VDC
No. of Pole	1P	2P	3P	4P
Mechanical Life	20000 times(C.O.)			
Electrical Life	20000 times(C.O.)		125A: 1000 Times	
Icu:	10KA			
Ics:	63,80,100A:10KA		125A: 7.5KA	
Weight(G)	150	300	460	620

► Dimensions



► Installation



FPV-125

Solar DC Mini Circuit Breaker (DC MCB)

► Over current tripping characteristic

Item	Rated Current (A)	Initial State	Test Current	Limited Time	Prospective Result	Starting State
a	$I_n=63$	Cold state	$1.05I_n$	$t \leq 1h$	Non-tripping	The current rise steadily to a fixed value within 5s
	$I_n > 63$	Cold state	$1.05I_n$	$t \leq 2h$	Non-tripping	
b	$I_n=63$	Hot state	$1.3I_n$	$t < 1h$	Tripping	
	$I_n > 63$	Hot state	$1.3I_n$	$t < 2h$	Tripping	
c	$I_n \geq 63$	Cold state	$8I_n$	$t \leq 0.2s$	Non-tripping	
			$12I_n$	$t < 0.2s$	Tripping	

► Current correction values used at different ambient temperatures

Temperature	-35	-30	-20	-10	0	10	20	30	40	50	60	70
63A	90.40	88.52	84.75	80.33	76.55	72.45	67.73	63	57.65	51.98	46.31	40.95
80A	114.8	112	106.8	101.6	96.4	90.8	85.6	80	74	67.6	60.4	53.2
100A	143.5	140.5	134.5	127.5	121	113.5	107.5	100	92.5	84.5	75.5	66.5
125A	178.75	173.75	164.38	156.25	148.75	140.63	135	125	116.25	107.5	97.5	85

► Current correction factor used at different altitudes

Rated Current (A)	Different altitude correction factors		
	$\leq 2000m$	2000~3000m	$\geq 3000m$
3,6,10,16,20,25,32,40,50,63A	1.0	0.9	0.8

► Characteristic Curve

